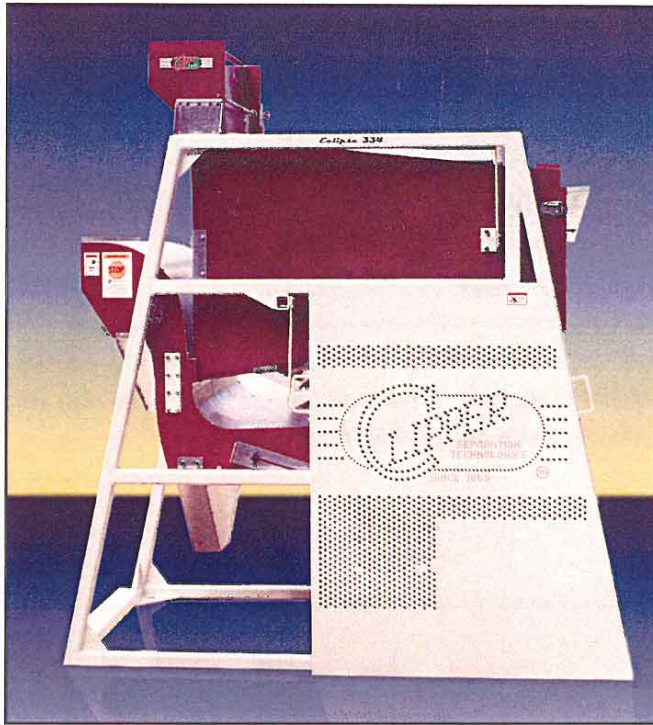


The Clipper Eclipse 334



"Clipper" Eclipse 334

This compact 2 HP machine stands 85" tall, 53" wide and 77" long and weighs 1,835 lbs. Capable of market cleaning 250 bushels per hour and up to 125 bushels per hour for precision cleaning.

The Clipper Eclipse 334 is the Second in a line of small to moderate sized cleaners designed to meet the low maintenance and easy cleanout requirements of today's seedsman. The Eclipse 334 is engineered to fill the need for a conveniently sized, versatile cleaner, and is designed to be portable or stationary. The Eclipse 334 utilizes new technology Ball Tray cleaning and Air Flow design for efficient and effective sizing and separation.

Screens & Commodity Flow

The Clipper Eclipse 334 features Three (3) Screen Decks. Each screen is 34"x42". the top screen removes product larger than the desired seed. The "scalped off" material exits the front of the machine, while the good product falls through the screen.

The bottom two screen decks can be configured in either a split-sift or scalp-sift configuration. Trash, weed seeds, foreign material, and splits drop through the bottom sift screens while the good product passes over them.

Next, the product is routed through a positive column of air from the bottom blast fan. The aspiration effectively removes any lightweight trash and dust that may have remained after screening.

Clipper offers over 150 different sizes of perforated metal or wire mesh material to accommodate virtually all-agricultural commodities.

Construction & Options

Construction features a heavy-duty tubular steel frame with a balanced counter throw, and 13-ply marine grade plywood shoes. The Eclipse 334 allows for easy connection to an auger or vibratory conveyor. An optional Bagging Auger Attachment, Vibratory conveyor, Expanded Surge Hopper, and Feed Elevator are also available.



SINCE 1940

1440 SOUTH ADAMS STREET, BLUFFTON, IN 46714 USA (260)824-3400 1

www.atferre

SEEDBURO EQUIPMENT COMPANY

CHICAGO, IL 60607

PH: 800-284-5779 / 312-738-3700

FAX: 312-738-5329

EMAIL: sales@seedburo.com

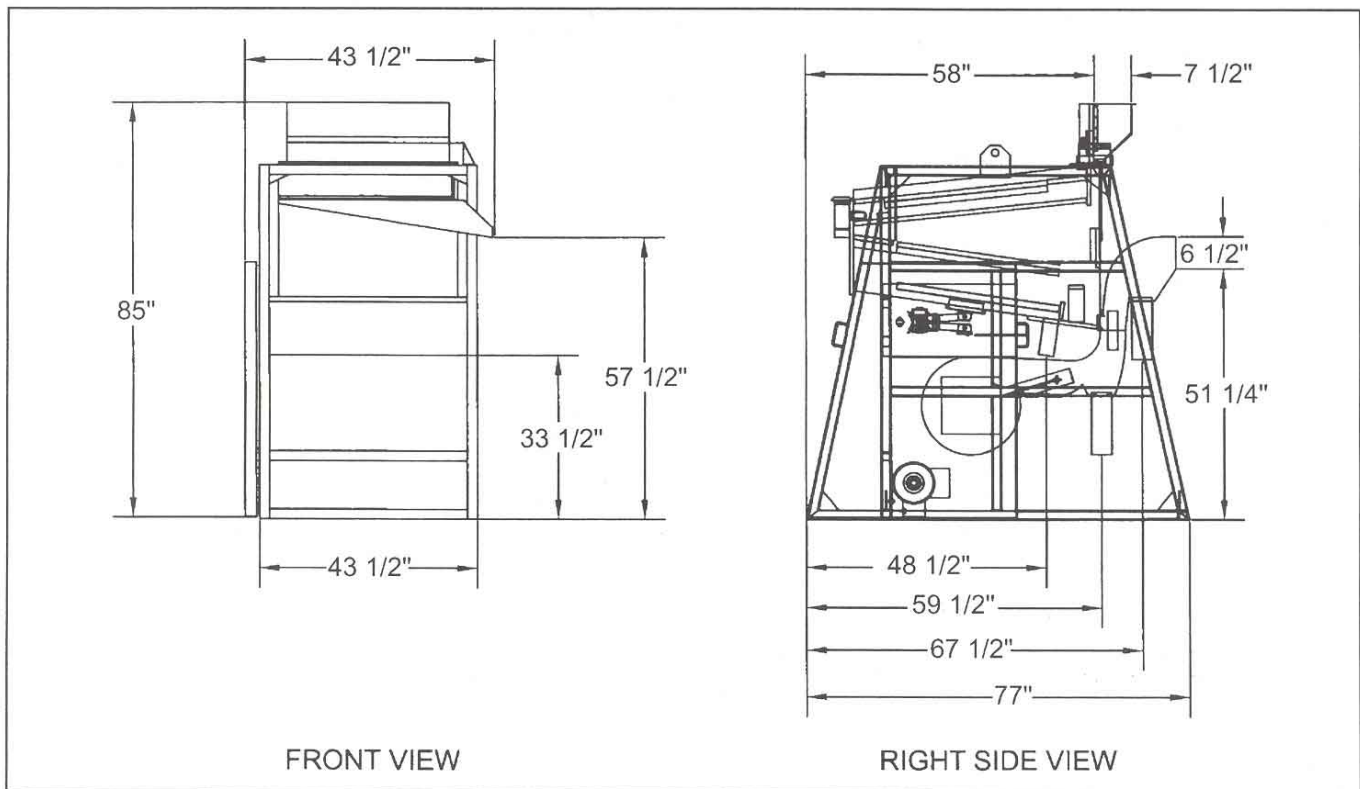
The Clipper Eclipse 334

Capacities

Commodity	Fast Clean	Precision Clean
Soybeans, wheat, corn	250BPH	120 BPH
Rice, oats	190 BPH	75 BPH

*Note: capacities may vary depending on seed condition, moisture content, seed varieties, types and volumes of contaminants to be separated and the percentage of foreign material acceptable in the final product. Capacities also vary depending on product flow through the cleaner. Capacities shown above are for the split-flow arrangement.

Dimensions (inches)



SINCE

SEEDBURO EQUIPMENT COMPANY

CHICAGO, IL 60607

PH: 800-284-5779 / 312-738-3700

FAX: 312-738-5329

EMAIL: sales@seedburo.com

1440 SOUTH ADAMS STREET, BLUFFTON, IN 46714 USA (260)824-3400

www.atfer